

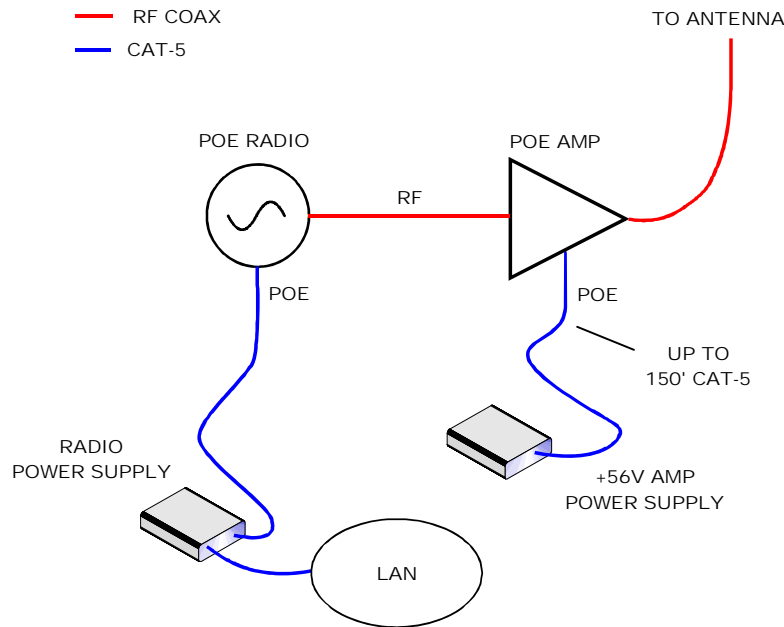
# ANTENNAFIER™ 915LTX-PK



The 915LTX-PK is an Outdoor Bi-Directional Amplifier for WLAN. It's powered via a standard CAT-5 cable and an included +56V supply. Fine tune your system's TX Output power and RX gain via a USB link and our free software.

### Featured Highlights:

- Fully Tunable AGC TX Power: 0.5W to 10W
- Fully Tunable RX Gain: 0 to 10dB
- Outdoor Rated, IP67 Enclosure
- USB controlled
- Non-Volatile Memory (tune and remember)
- +56V RJ-45 Power Supply Included
- Built-in Radio Power Meter
- High Q filtering in both RX & TX paths
- Low Receive Noise Figure
- Internal Lightning Protection
- RX/TX LED Indicator
- Automatically switches between RX/TX



*The marketing, sale, and use of power amplification devices are governed by and subject to Part 15 of the Rules and Regulations of the Federal Communications Commission. Such devices may only be sold to parties assembling certified RF transmission systems consisting of an intentional radiator, an external radio frequency power amplifier, and an antenna.*

9017 Cincinnati Columbus Rd.  
West Chester, Ohio 45069  
PH: 513-777-2774

## Typical Performance Parameters

**Amp POE Input Voltage:** +24 to +56 VDC  
 V+ (Pins 4,5 on CAT-5 Blue & White/Blue)  
 V- (Pins 7,8 on CAT-5 Brown & White/Brown)  
 Up to 150' length of CAT-5e cable can be used

**Frequency:** 902-928 MHz

**Receive:**  
 Adjustable Gain: 0 to 10 dB (0.1 dB increments)  
 Noise Figure: 4.0 dB Typ.  
 Supply DC Power: < 3.5 Watts  
 TX to RX Switching: < 500 nSec  
 IP<sub>3</sub> (Input): +20 dBm

**Transmit :**  
 Adjustable AGC Power : 0.5 W to 10 W (27 dBm to 40 dBm, 0.1 dB inc)  
 AGC range: Min Gain : 0 dB Max Gain: 33 dB  
 (For Pout = 27dBm ; Set Pin from +2 to +23dBm)  
 (For Pout = 40dBm ; Set Pin from +7 to +23dBm)

RF input Power for Turn-On: +2 dBm

	Average RF Output Power	Typical Data Rate
802.11b	44.8 dBm (10 W)	11 –24 Mbps
802.11g	38.5 dBm (7W)	24-36 Mbps
	37 dBm (5W)	36-48 Mbps
	≤36 dBm (4 W)	54 Mbps

Harmonic Rejection: > 79 dBc @ Poutput = +33 dBm  
 Supply Current: < 70 Watts Peak, 35 Watts nominal  
 RX to TX Switching: < 500nSec

**Maximum Ratings:**  
 Pin (Radio Port): +27 dBm Peak, +23dBm nominal  
 Pin (Antenna Port): +36 dBm

**Chassis:** 6.5" x 4.9"x 2.78" ( Two RF Connectors -"N" Female )  
 ( One Waterproof CAT-5- Female)  
 Rugged aluminum die-cast chassis, with black power coat finish

**Weight:** < 3.8 Lbs

**Indicator LED:** Green LED -Receive Mode, Red LED-Transmit Mode

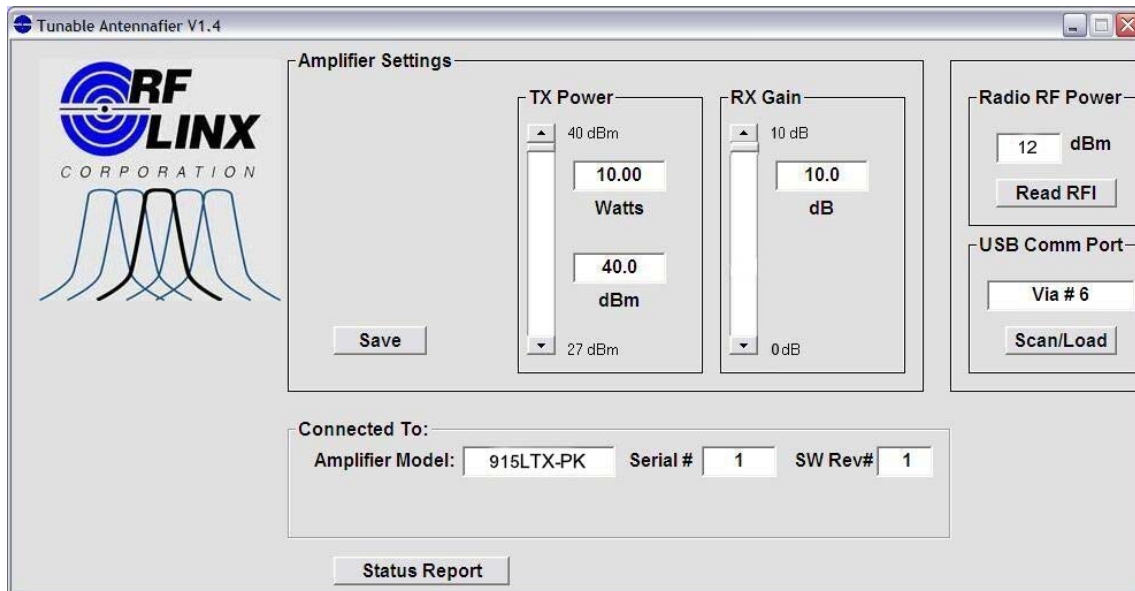
**Lightning Suppression:** Antenna N-Connector, DC short

**Temperature:** -40 to +70 Deg C

9017 Cincinnati Columbus Rd.  
 West Chester, Ohio 45069  
 PH: 513-777-2774

## Programming Your Tunable Antennafier™ :

Programming is easily accomplished with a USB connection and our Tunable Software. The software operates on Windows platforms. Below is a sample of the simple graphical interface.



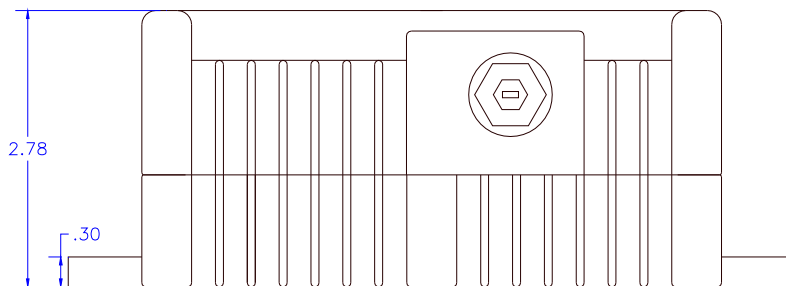
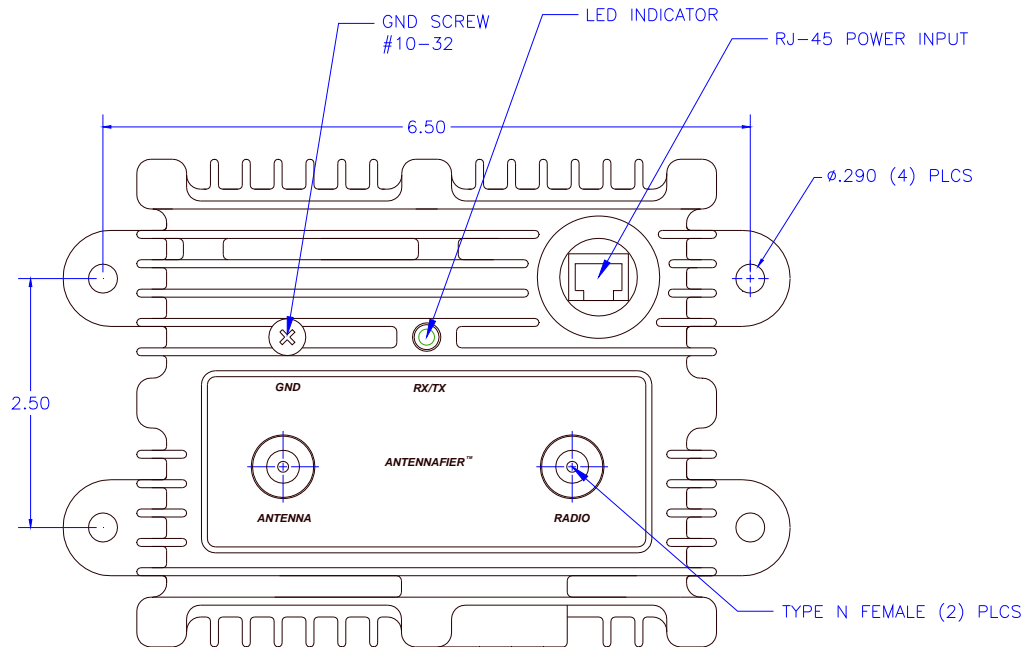
After applying power, the software reads the amplifiers settings via a USB connection. Each Antennafier™ leaves the factory set at TX Pwr=+30dBm and RX Gain =+10dBm, and has a unique serial number . To change the TX Pwr and RX Gain settings, simply adjust the slide bar to the desired levels, the changes are almost instant. To permanently store these settings simply press the “Save” button, then disconnect the USB connection. The amplifier always remembers its stored information even when power is cycled.

Radio Output Power to the amplifier can also be measured. Selecting “Read RFI” , will yield average RF energy during a TX cycle. This RF power measurement is useful and will aid in system diagnostics.

A “Status Report” button is used to provide detailed diagnostic information.

9017 Cincinnati Columbus Rd.  
West Chester, Ohio 45069  
PH: 513-777-2774

## Mechanical Outline:



### Each POE Amp Includes:

- Two 2.5" U bolt mounting brackets
- One Waterproof RJ-45 Connector Assembly
- Coax Seal
- USB Cable
- CAT-5 Jumper Cable
- +56V CAT-5 Power Supply

9017 Cincinnati Columbus Rd.  
West Chester, Ohio 45069  
PH: 513-777-2774